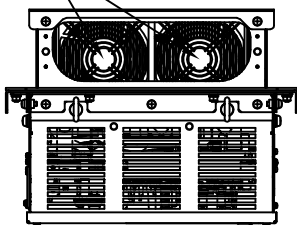
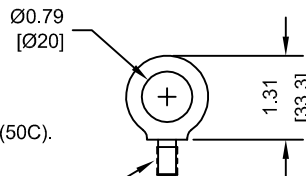


(2) EXTERNAL COOLING FANS

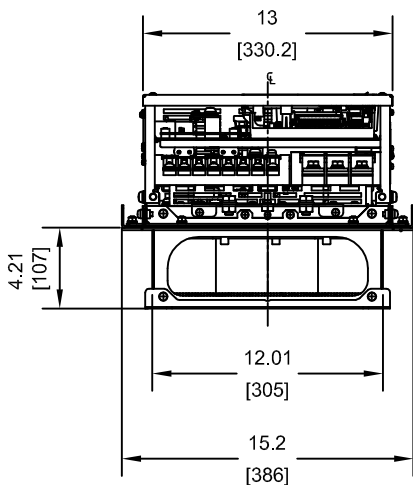
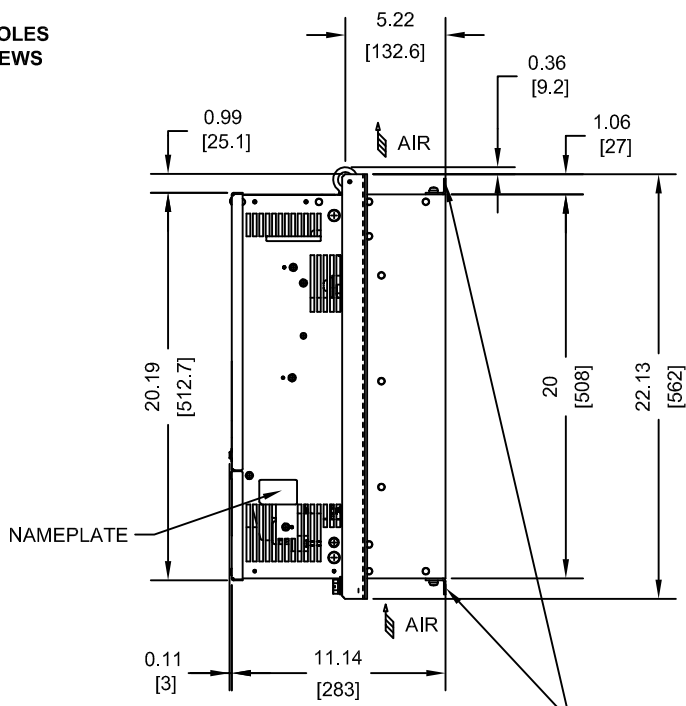
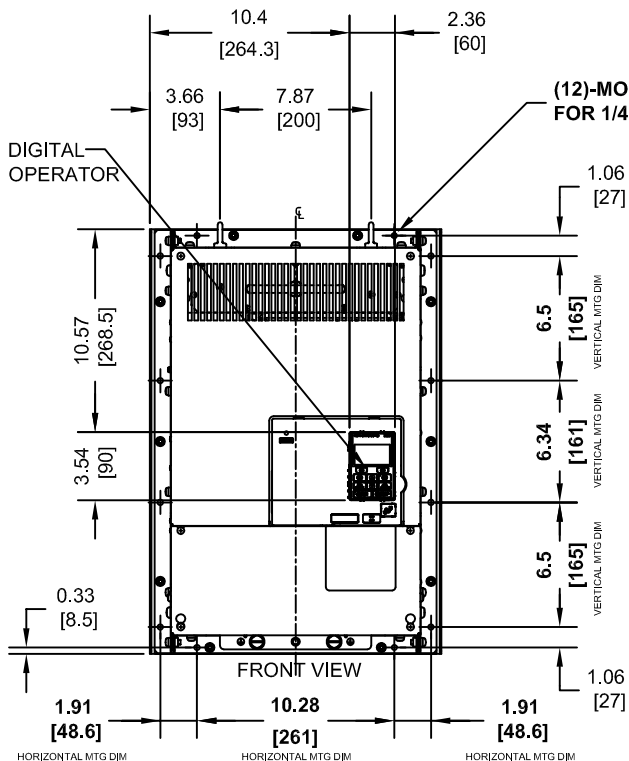


LIFTING AND EYEBOLT DETAILS



NOTE:
MAXIMUM SURROUNDING AIR
TEMPERATURE RATING IS 122F(50C).

NOTE:
SPREADER BAR REQUIRED TO
AVOID DAMAGE DURING LIFTING



MODEL # CIMR-AU	INPUT TYPE	VOLTAGE 3-PHASE (VAC)	OUTPUT CURRENT (A)		WEIGHT LBS (Kg)	HEAT LOSS (W)					
			ND	HD		ND (Fc=2kHz)			HD (Fc=SEE NOTES)		
						INT	EXT	TOT	INT	EXT	TOT
2A0169UXX	6 PULSE	200/240	169	145	90.2 (41)	380	1014	1394	306	816	1122
2A0211UXX	6 PULSE		211	180	92.4 (42)	473	1218	1691	378	976	1354
4A0139UXX	6 PULSE	380/480	139	112	99.0 (45)	534	1215	1749	416	908	1324
4A0165UXX	6 PULSE		165	150	101.2 (46)	668	1557	2225	580	1340	1920
4T0139UXX	12 PULSE		139	112	85.8 (39)	487	1179	1666	447	1100	1547
4T0165UXX	12 PULSE		165	150	88.2 (40)	624	1520	2164	629	1647	2276
5A0062UXX	6 PULSE	500/600	62	52	99.0 (45)	279	791	1070	335	1272	1607
5A0077UXX	6 PULSE		77	62	99.0 (45)	329	959	1288	379	1457	1836
5A0099UXX	6 PULSE		99	77	99.0 (45)	412	1253	1665	352	1267	1619

NOTES:
XX DENOTES AA-ZZ

INT=INTERNAL COMPONENTS
EXT=EXTERNAL HEATSINK
TOT=TOTAL

FOR HD VALUES, CARRIER FREQ. IS SET TO:
Fc=8kHz FOR MODELS 2A0169, 4A0139, 4T0139, 5A0062 AND 5A0077
Fc=5kHz FOR MODELS 2A0211, 4A0165, 4T0165, AND 5A0099

FOR ADDITIONAL DETAILS AND SPECIFICATIONS, CONSULT MANUAL

TOLERANCES / REFERENCES:

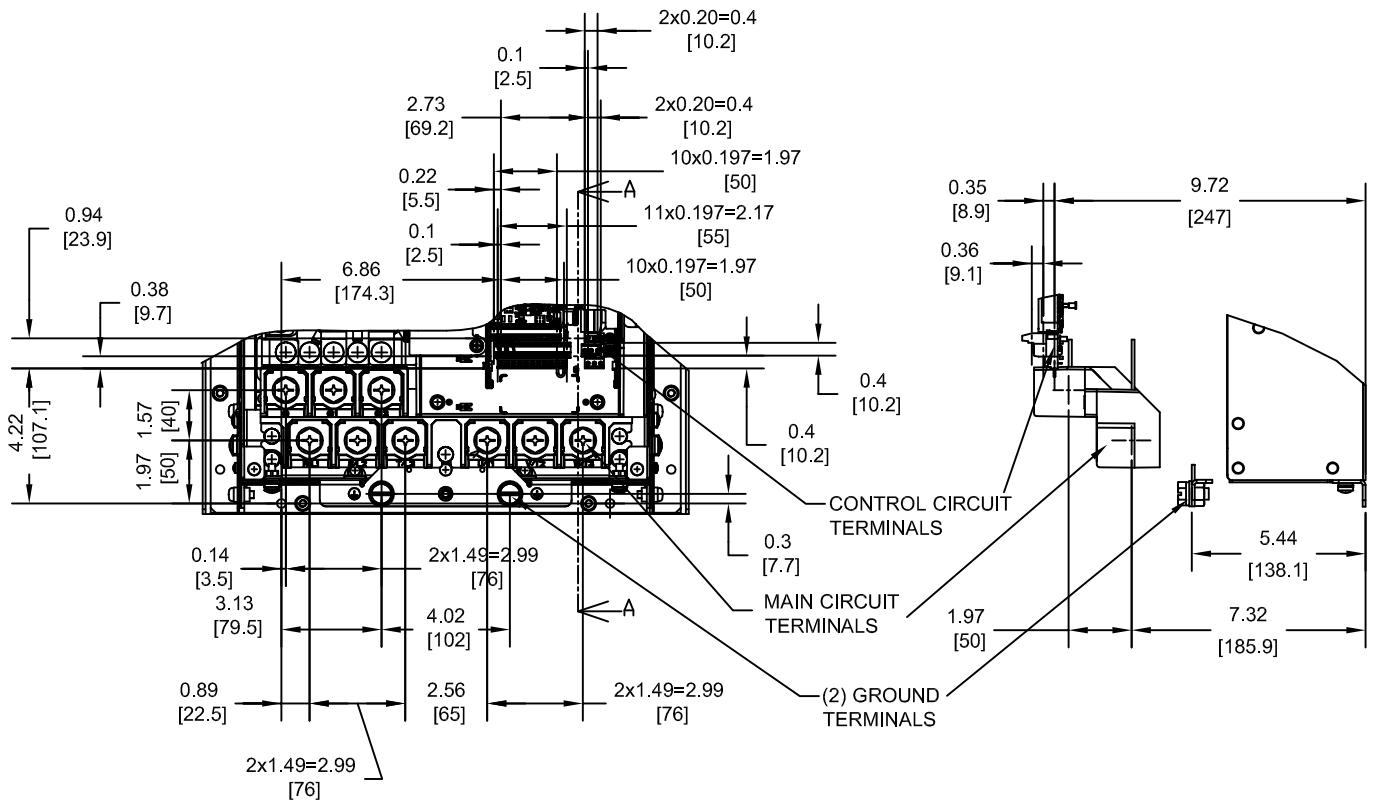


THIS DOCUMENT AND INFORMATION CONTAINED
IN IT ARE CONFIDENTIAL, AND CANNOT BE
COPIED OR DISCLOSED IN WHOLE OR IN PART
WITHOUT THE EXPRESS WRITTEN CONSENT
OF YASKAWA AMERICA, INC.

DRAWN: J. MATTAS	DATE 1-10-12	TITLE: A1000 DIMENSION DRAWING
CHECKED: J. PIOTROWSKI	DATE 2-10-12	FRAME SIZE 10
TECH: J. BORJA	DATE 1-23-12	DESIGNED FOR IP54/TYPE 12 ENCLOSURES
APPROVED: J. CAIRO	DATE 4-7-12	2A0169U-0211U, 4A0139U-0165U, 4T0139U-0165U, 5A0062U-0099U
ORIGINAL DESIGN:	DATE	SIZE: A
-	-	REVISION: R01
		PAGE: 1 of 4
		DRAWING #: DD.A1K.FR10.FLNG

UNITS: IN [mm]
SCALE: 1:10

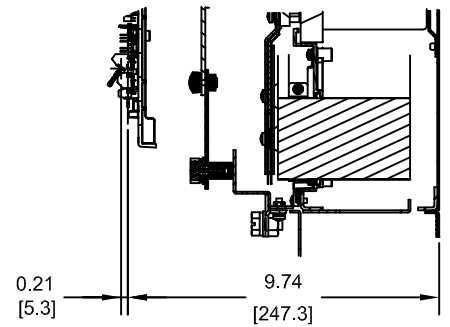
TERMINAL AND WIRING DETAILS (SCALE 1:6)
FOR 6-PULSE INPUT DRIVES



TERMINAL AND WIRE SPECIFICATIONS FOR
MAIN CIRCUIT AND GROUND

MODEL # CIMR-AU	TERMINAL SYMBOL	TERMINAL SCREW	CLAMPING TORQUE lb.in.(N.m.)	WIRE RANGE AWG(mm ²)
2A0169U	R/L1, S/L2, T/L3	M10	159.3 TO 203.6 (18 TO 23)	10-4/0 (5.3-107.2)
2A0211U	U/T1, V/T2, W/T3			
4A0139U	⊖, ⊕1, ⊕3			
4A0165U	⊕	M10	159.3 TO 203.6 (18 TO 23)	SEE NOTE
5A0062U	⊕			
5A0077U				
5A0099U				

NOTE: REFER TO APPLICABLE CODES FOR PROPER WIRE TYPE AND SIZE



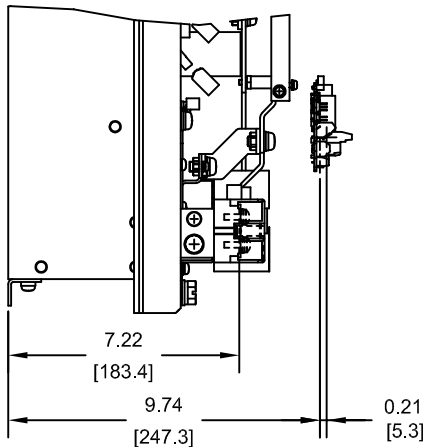
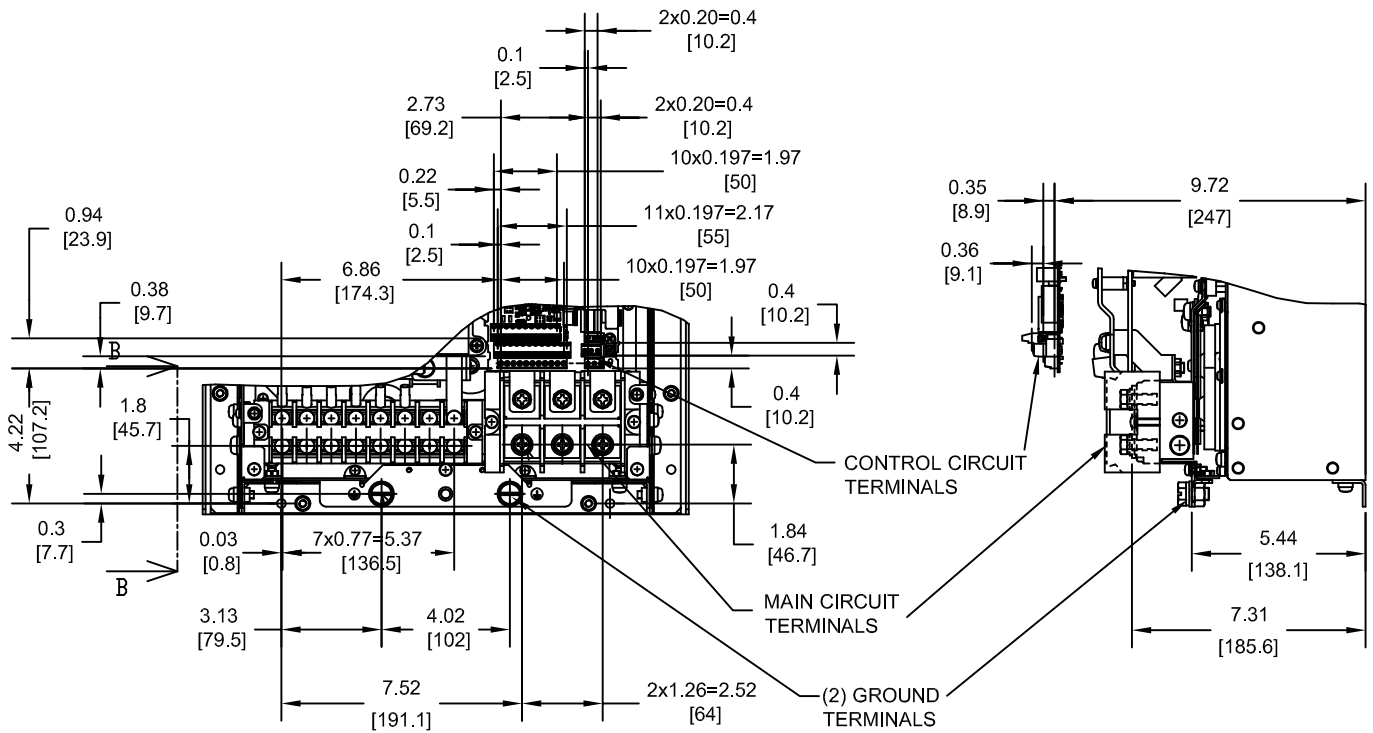
SECTION A-A

FOR ADDITIONAL DETAILS AND SPECIFICATIONS, CONSULT MANUAL

TOLERANCES / REFERENCES:			DRAWN: J. MATTAS DATE: 1-10-12	TITLE: A1000 DIMENSION DRAWING FRAME SIZE 10 DESIGNED FOR IP54/TYPE 12 ENCLOSURES	
			CHECKED: J. PIOTROWSKI DATE: 2-10-12	2A0169U-0211U, 4A0139U-0165U, 4T0139U-0165U, 5A0062U-0099U	
		TECH: J. BORJA DATE: 1-23-12	APPROVED: J. CAIRO DATE: 4-7-12	SIZE: A	REVISION: R01
UNITS: IN [mm]	SCALE: BY VIEW	ORIGINAL DESIGN: -	DATE: -	PAGE 2 of 4	
			DRAWING #: DD.A1K.FR10.FLNG		

THIS DOCUMENT AND INFORMATION CONTAINED
IN IT ARE CONFIDENTIAL, AND CANNOT BE
COPIED OR DISCLOSED IN WHOLE OR IN PART
WITHOUT THE EXPRESS WRITTEN CONSENT
OF YASKAWA AMERICA, INC.

TERMINAL AND WIRING DETAILS (SCALE 1:6)
FOR 12-PULSE INPUT DRIVES



SECTION B-B

TERMINAL AND WIRE SPECIFICATIONS FOR
MAIN CIRCUIT AND GROUND

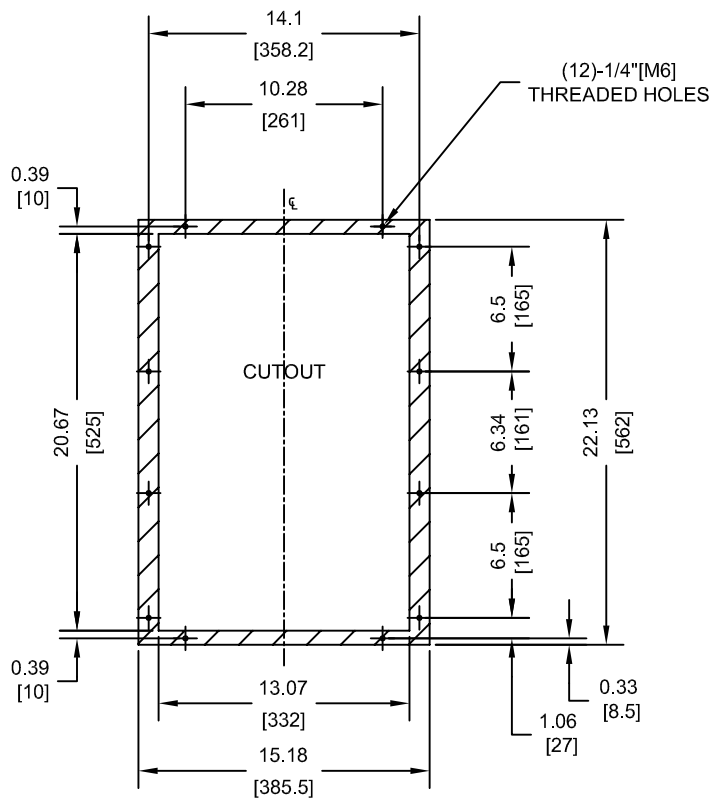
MODEL # CIMR-AU	TERMINAL SYMBOL	TERMINAL SCREW	CLAMPING TORQUE lb.in.(N.m.)	WIRE RANGE AWG(φmm)
4T0139U 4T0165U	R/L1, S/L2, T/L3	M6	22.1 TO 26.6 (2.5 TO 3.0)	22-1/0 (0.3-53.5)
	R1/L11, S1/L21, T1/L31			
	⊖ ⊕3	M8	132.8 (15.0)	6-250kcmil (13.3-127)
	U/T1, V/T2, W/T3	M10	159.3 TO 203.6 (18 TO 23)	SEE NOTE

NOTE: REFER TO APPLICABLE CODES FOR PROPER WIRE TYPE AND SIZE

FOR ADDITIONAL DETAILS AND SPECIFICATIONS, CONSULT MANUAL

TOLERANCES / REFERENCES:			DRAWN: J. MATTAS DATE: 1-10-12	TITLE: A1000 DIMENSION DRAWING FRAME SIZE 10 DESIGNED FOR IP54/TYPE 12 ENCLOSURES	
			CHECKED: J. PIOTROWSKI DATE: 2-10-12	2A0169U-0211U, 4A0139U-0165U, 4T0139U-0165U, 5A0062U-0099U	
		TECH: J. BORJA DATE: 1-23-12	APPROVED: J. CAIRO DATE: 4-7-12	SIZE: A	REVISION: R01
		ORIGINAL DESIGN: -	DATE: -	PAGE 3 of 4	
UNITS: IN[mm]	SCALE: BY VIEW	THIS DOCUMENT AND INFORMATION CONTAINED IN IT ARE CONFIDENTIAL, AND CANNOT BE COPIED OR DISCLOSED IN WHOLE OR IN PART WITHOUT THE EXPRESS WRITTEN CONSENT OF YASKAWA AMERICA, INC.		DRAWING #: DD.A1K.FR10.FLNG	


PANEL CUTOUT (SCALE 1:10)



NOTES:

1. CUTOUT TOLERANCES:
+/- 0.02IN (0.5MM)
2. EXPOSED HEATSINK DEPTH
D=4.21" MINUS PANEL THICKNESS
3. MIN. RECOMMENDED PANEL
THICKNESS: 12 GA

FOR ADDITIONAL DETAILS AND SPECIFICATIONS, CONSULT MANUAL

TOLERANCES / REFERENCES:		 THIS DOCUMENT AND INFORMATION CONTAINED IN IT ARE CONFIDENTIAL, AND CANNOT BE COPIED OR DISCLOSED IN WHOLE OR IN PART WITHOUT THE EXPRESS WRITTEN CONSENT OF YASKAWA AMERICA, INC.	DRAWN: J. MATTAS DATE: 1-10-12	TITLE: A1000 DIMENSION DRAWING FRAME SIZE 10 DESIGNED FOR IP54/TYPE 12 ENCLOSURES 2A0169U-0211U, 4A0139U-0165U, 4T0139U-0165U, 5A0062U-0099U
UNITS: IN [mm]	SCALE: BY VIEW		CHECKED: J. PIOTROWSKI DATE: 2-10-12	TECH: J. BORJA DATE: 1-23-12
		APPROVED: J. CAIRO DATE: 4-7-12	ORIGINAL DESIGN: -	SIZE: A REVISION: R01 PAGE: 4 of 4
		DRAWING #: DD.A1K.FR10.FLNG		